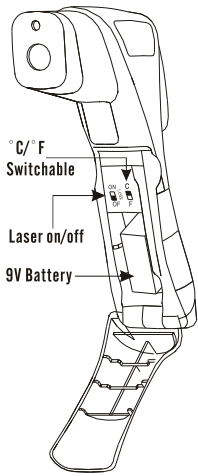
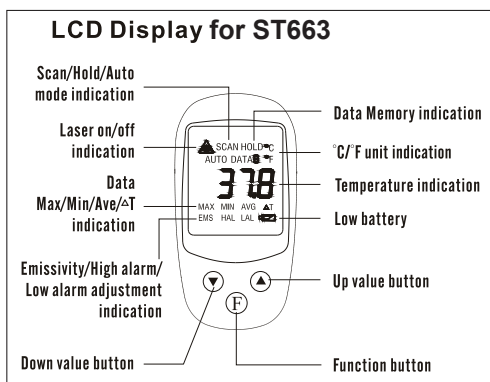
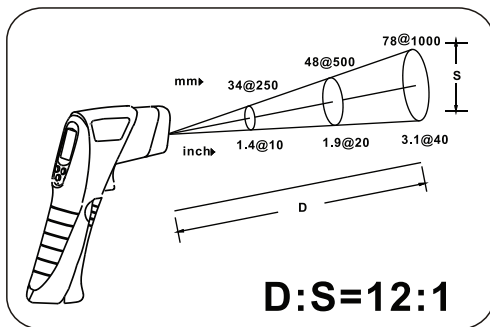


Infrared Thermometer



	Infrared Thermometer		HDS Infrared Thermometer			
Model No.	ST660	ST663	ST670	ST672	ST675	ST677
Distance/Spot Ratio	12:1	12:1	30:1	30:1	50:1	50:1
Temperature Range	-50~999°C (-58~1830°F)		-32~760°C (-25.6~1400°F)	-32~1300°C (-25.6~2372°F)		-32~1650°C (-25.6~3002°F)
Accuracy (Assumes Operation Ambient Temperature of 25°C/77°F)	±3°C(±5°F) -50~-20°C(-58~-4°F) ±2°C(±3°F) -20~100°C(-4~212°F) ±2% from 100~999°C(212~1830°F)		±3°C(±5°F) -32~-20°C(-25.6~-4°F) ±2°C(±3°F) -20~100°C(-4~212°F) Above 100°C(212°F):±2%			
Thermopile	8~14µm					
Repeatability	±1°C(±2°F)					
Resolution	0.1°C or 0.1°F			0.1°C or 0.1°F (Above 2000oF:1oF)		
Response Time	500ms					
Operation Temp	0~50°C(32~122°F),10~90%RH					
Auto Power Off	Automatically after approx. 6sec					
Emissivity	0.95	Adj. 0.1~1.0	Adjustable 0.1~1.0			
°C/°F Switchable	YES					
Backlight	YES					
Laser Sight Switchable	YES					
Max/Min/Avg./ΔT	NO		YES			
Auto-measuring	NO		YES			
10 Point Memory	NO		YES			
Audio Alarm	NO		YES			
Dual Display	NO		YES			
Tripod Mount	NO		YES			
Dimension	170x133x45mm		200×166×50.5 mm			



Panel Description for model: ST677

