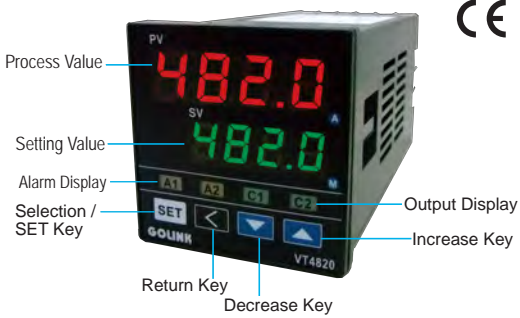
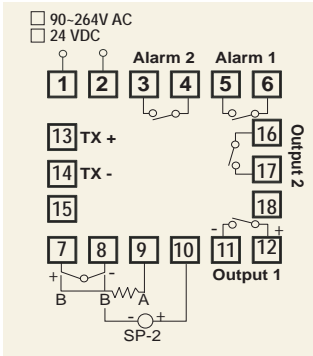


VT4820 Fuzzy PID Controller



Wiring Diagram

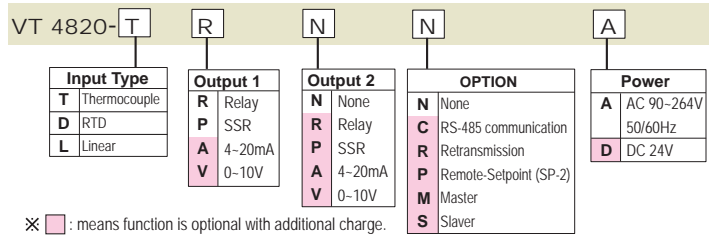


Features:

- T/C, RTD, Linear Input selection
- Fuzzy enhanced PID Control
- Auto / Manual Bumpless Transfer
- Universal Power Supply: 90~264VAC, 50/60Hz, Standard Model with 2 Alarm outputs
- Standby and Latch mode can be combined with 8 different alarm functions
- Ramp to set point and soak functions
- Soft-start function
- **Optional:**
 - Output 2 for cooling control
 - PV or SV Retransmission
 - 4~20mA remote set point input (SP-2)
 - RS485 communication (MODBUS RTU)
 - Power Supply : DC 24V
 - Master & Slaver transmission

Panel Cutout	Width	High	Depth
(Unit:mm)	45+0.5	45+0.5	100

HOW TO ORDER



SPECIFICATION for VT4820 & VD2605

Input	Thermocouple (J, K, R, S, T, E, B, N, C type) DIN Pt100 Ω or JIS Pt100 Ω Linear (4~20mA, 0~50mV, 0~1V, 0~5V, 0~10V...)
Accuracy	±1°C for Thermocouple Input ±0.2°C for Pt100 Ω ; ±3 μV for Linear Input
Sampling Time	0.25 sec.
Control Mode	P. band 0.0~300.0% F.S. for P control Integral Time: 0~3600 sec. Derivative Time: 0~900 sec. Hysteresis range 0.0 ~200.0 or 0~2000 Cycle Time: 0~100 sec.
Output Cycle	Relay Contact Output 15 sec. Pulsed Voltage to drive SSR: 1sec. Continuous Voltage (Current) Output: 0 sec.
Output Mode	Relay Contact Output 10A/240VAC (Resistive Load) Pulsed Voltage Output to drive SSR: DC 0/24V (Min.250 ohm) Current Output 4~20mA (Max. 600 ohm) Continuous Voltage Output 0~1V, 0~5V, 0~10V (Min. 600 ohm)
General Operation	Rated Power Supply Voltage 90~264V AC, 50/60Hz Ambient Temperature 0~50°C Ambient Humidity 0~90% Power Consumption less than 3VA

VD2605 Low Cost Dual Channel Controller / Indicator

Features:

- Independent dual input channel
- T/C, RTD, Linear Input selection
- P, PD, ON/OFF control mode selection
- One alarm output with 8 different alarm functions
- Auxiliary DC24V power supply to drive transmitter
- Universal power supply : 90~264VAC, 50/60Hz

Optional:

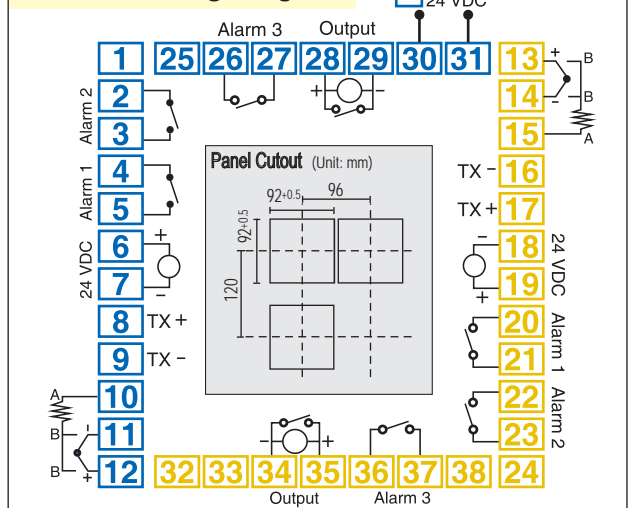
- 2nd and 3rd alarm are available
- 4~20mA Process Value retransmission
- RS-485 communication (MODBUS RTU)
- Power supply : DC 24V

Applications :

Indicator / Controller for Temperature, Humidity, Air-Conditioning, Gas Detector, DC Current / Voltage, Pressure etc. with retransmission or RS485



VD2605 Wiring Diagram



HOW TO ORDER

